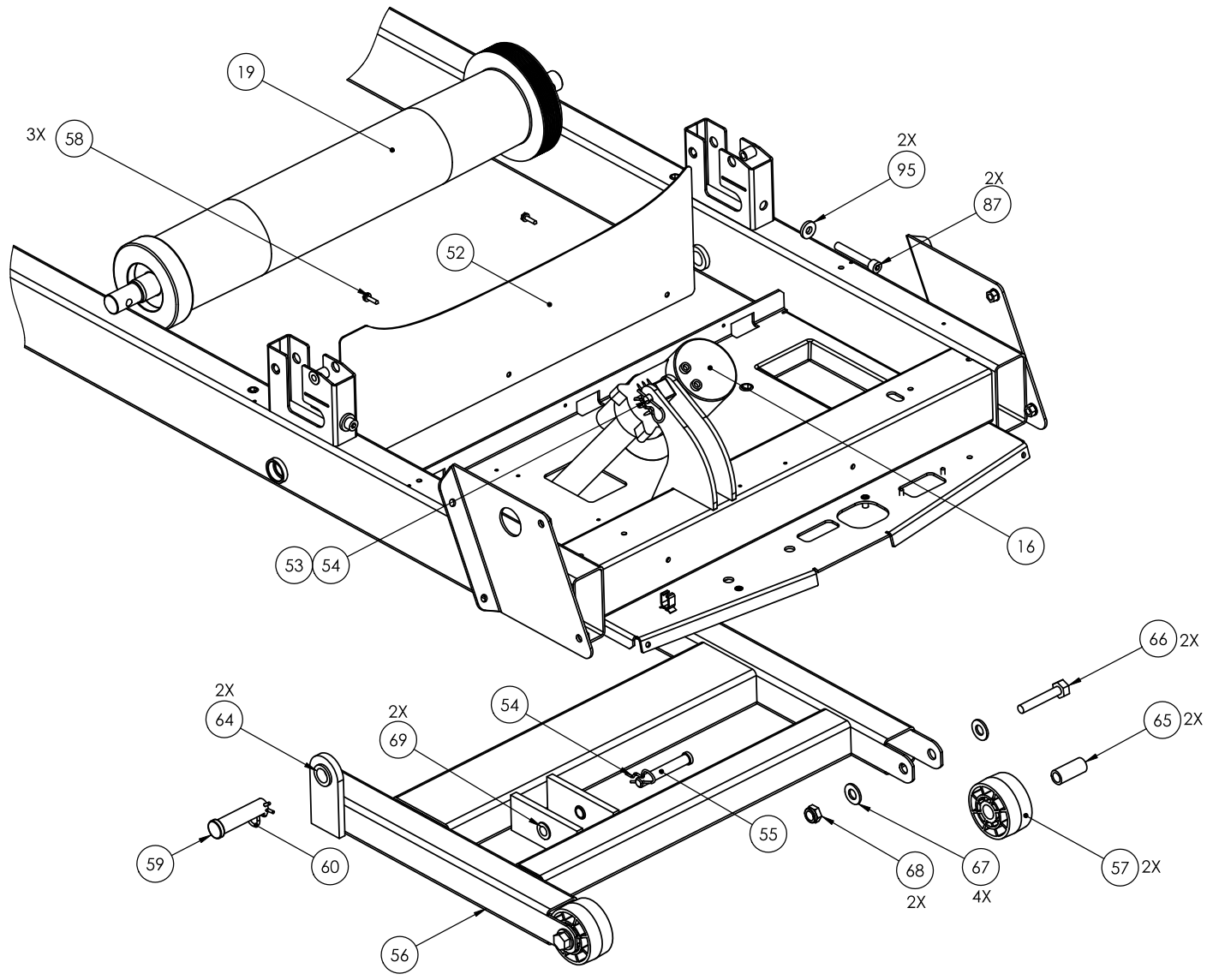
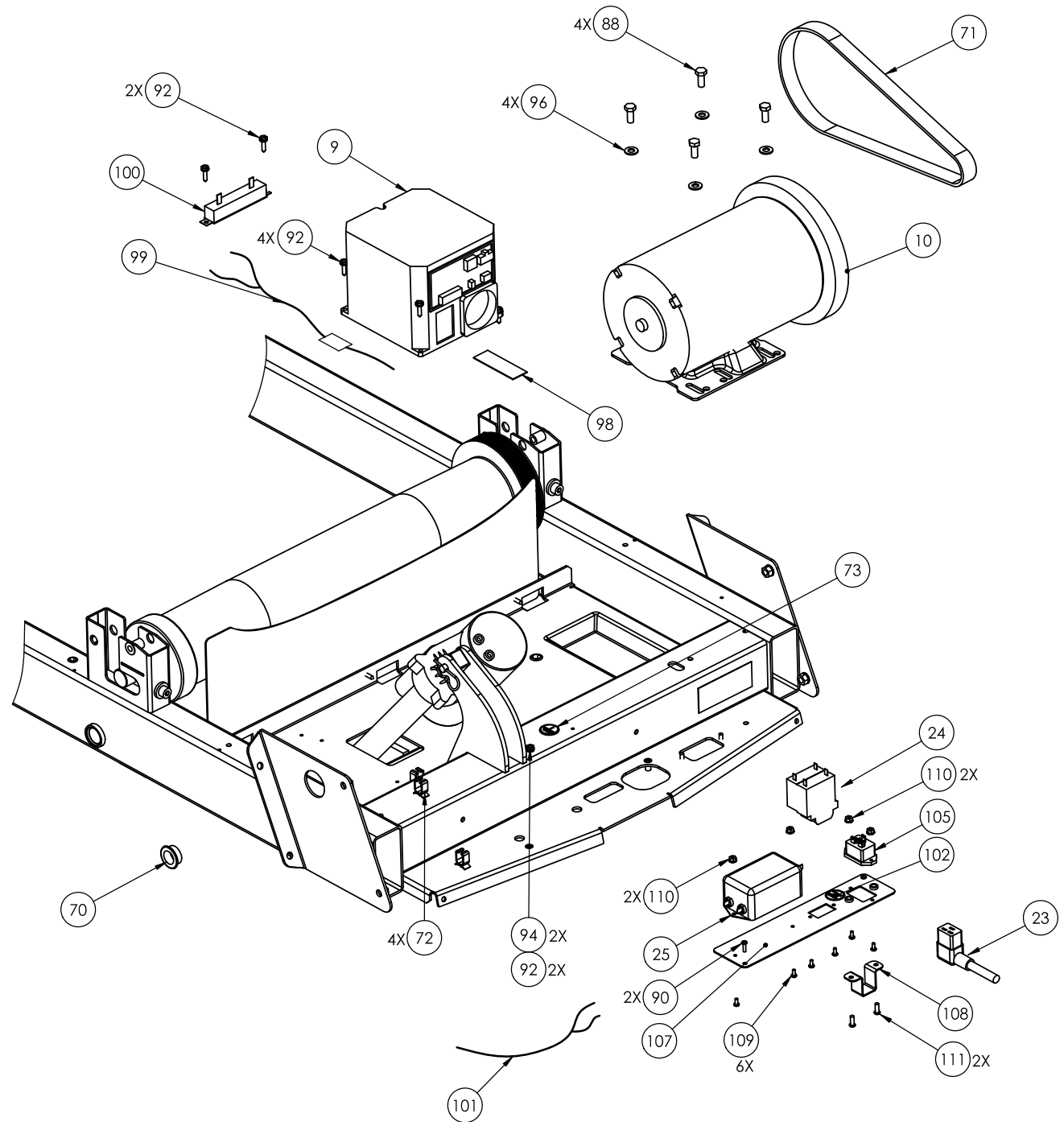
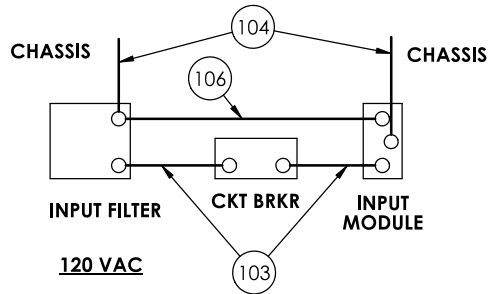
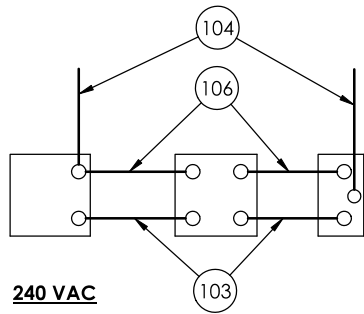
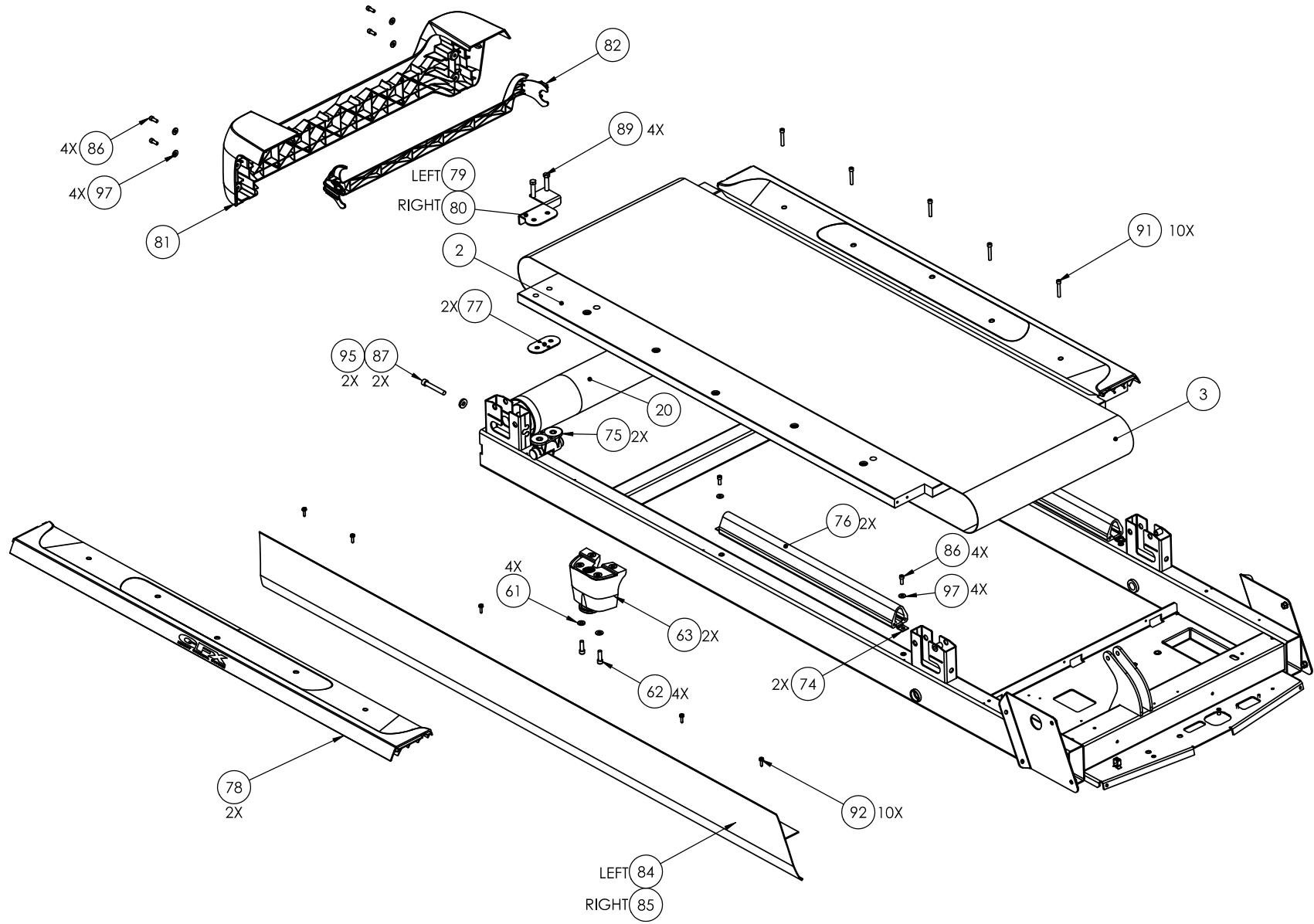


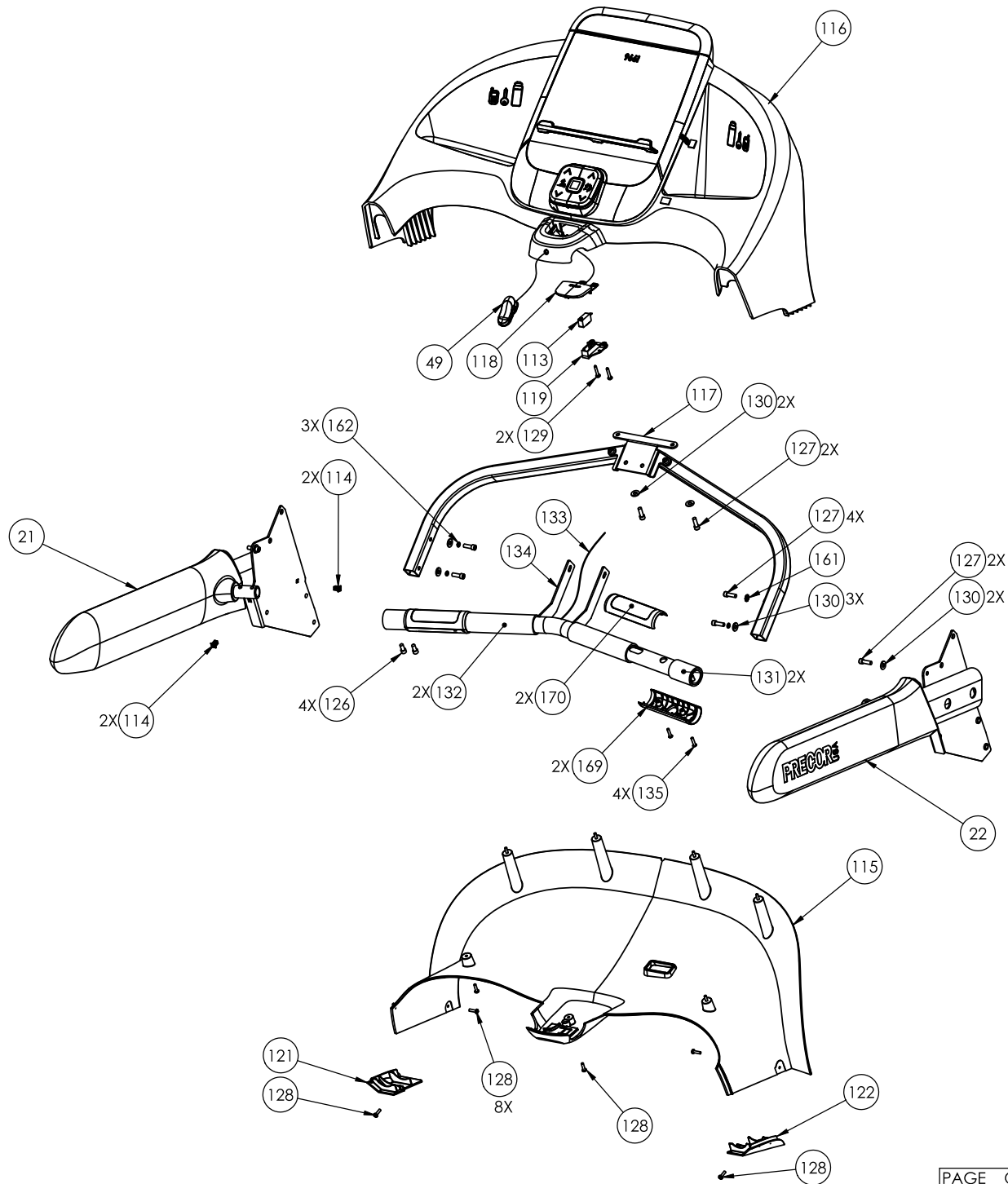


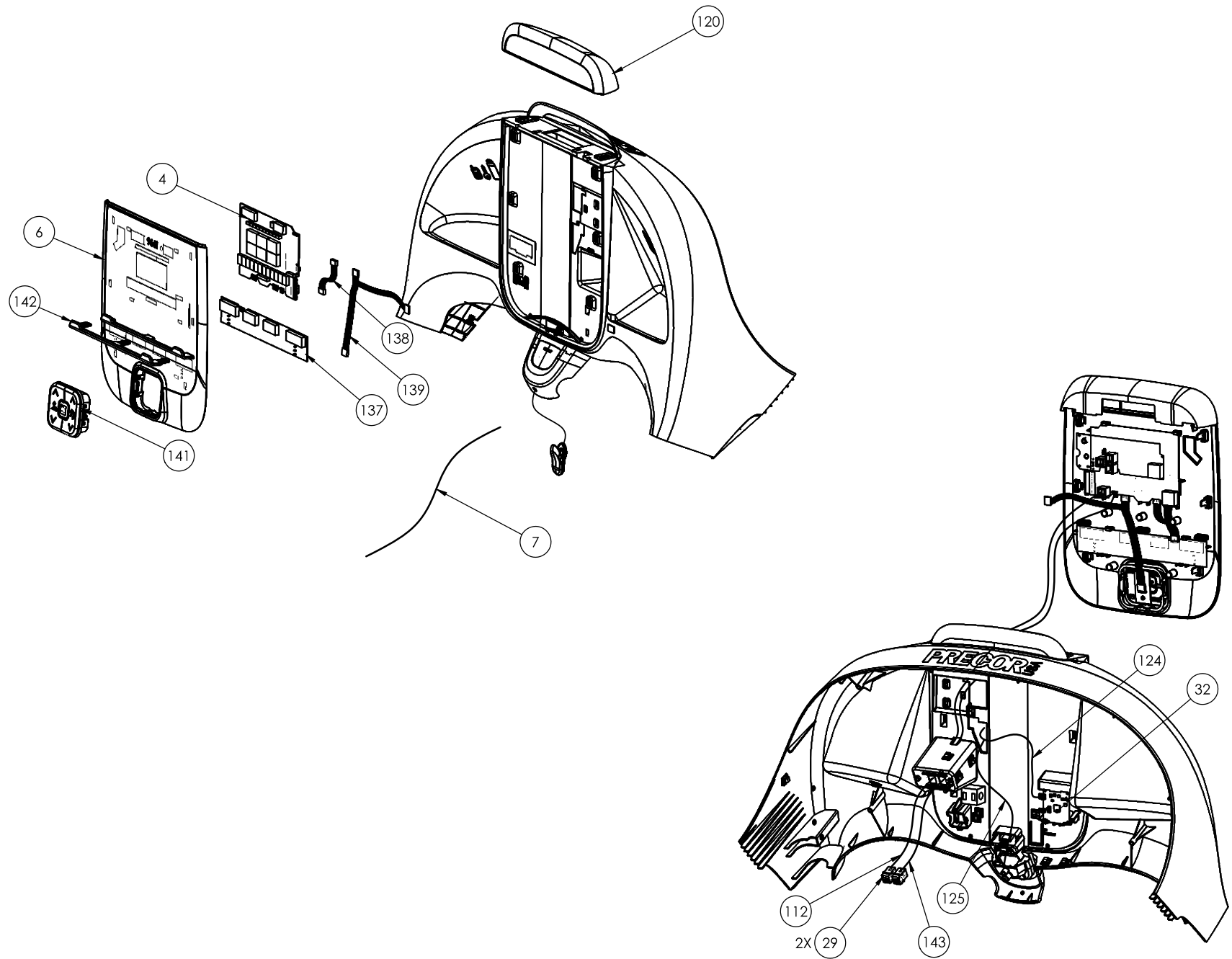
| | | |
|----------------------|-------------------|--------------|
| C9661 | P/N : 49080-101 | SUBREV : K |
| DRAWN BY : C THOMSON | DATE : 2 JUN 2011 | SHEET 1 OF 7 |

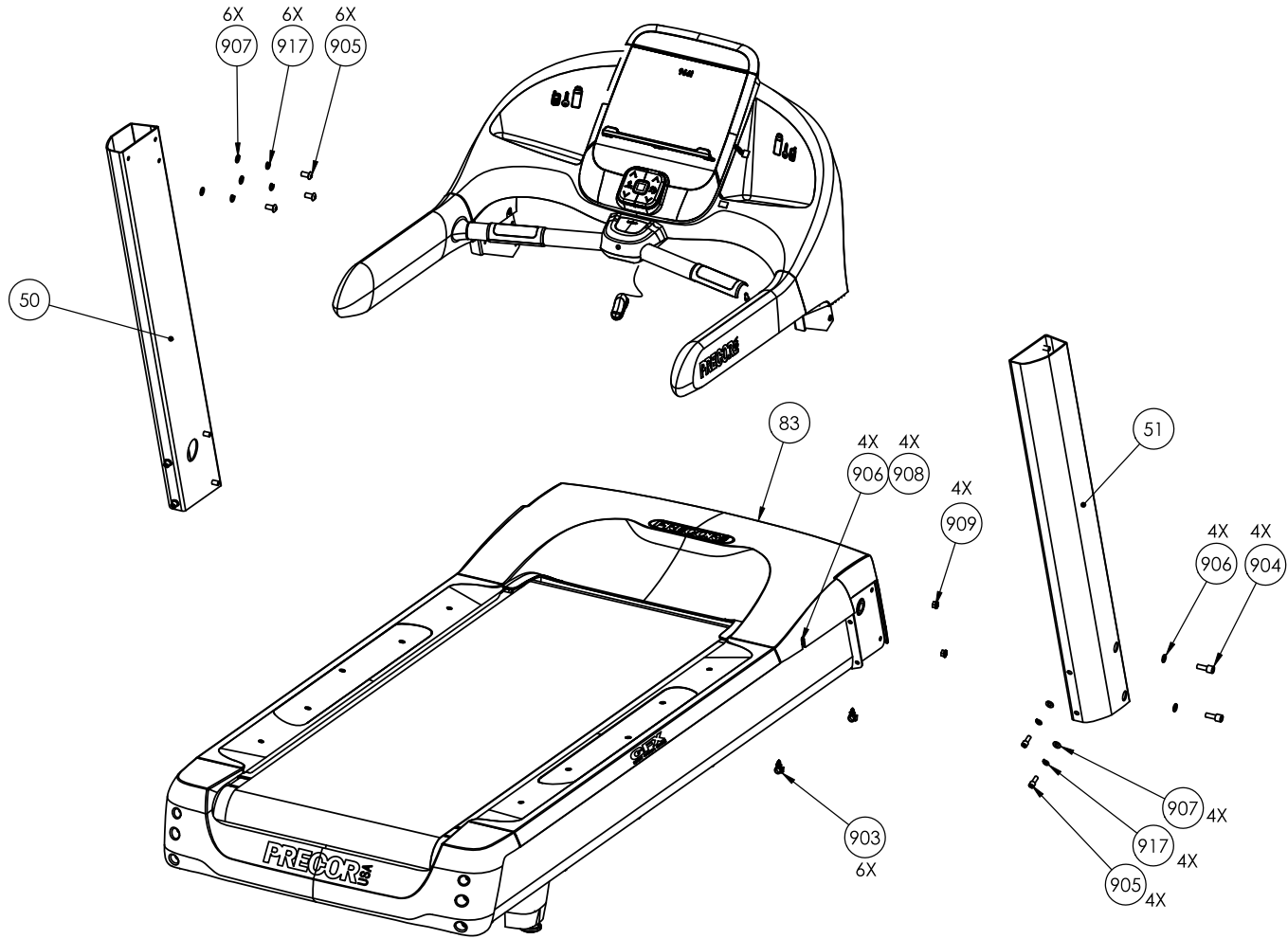












C966i (120 VAC)(serial code AA67, AABX)

| Part Number | Description | Bubble Number |
|--------------------|-------------------------------------|----------------------|
| PPP00000059097103 | DECK W/SHIPPER, EXP. LINE | 2 |
| PPP00000036355136 | RUNNING BELT, SIEGLING 132.75 X 20 | 3 |
| PPP00000048434403 | PCA,DISPLAY,CL | 4 |
| PPP00000049320080 | ASSY, CABLE, MODULAR WITH FERRITE | 7 |
| PPP000000300503103 | MODULE,MOTOR DRIVE,AC INDUCTION,COM | 9 |
| PPP00000048697105 | ASSY, DRIVE MOTOR, AC INDUCTION,2HP | 10 |
| PPP00000059088101 | KIT, LIFT MOTOR, 120V, W/ADAPTER CA | 16 |
| PPP00000044214104 | ASSEMBLY, DRIVE ROLLER | 19 |
| PPP00000044212104 | ASSEMBLY, TAKE-UP ROLLER | 20 |
| PPP00000048669104 | ASSEMBLY, HANDLEBAR, RIGHT | 22 |
| PPP00000047429144 | PWR CORD,125VAC,20A,NEMA 5-20RA45/I | 23 |
| PPP00000011462143 | CKT BRKR,250V,MAGNETIC,ROCKER,1 PO | 24 |
| PPP00000011224104 | FILTER, POWER LINE, 250VAC, 16A, GE | 25 |
| PPP00000011415102 | COUPLER,MOD,8P8C,INLINE,SNAP-IN | 29 |
| PPP00000043579108 | ASSY BOARD, CHR, CONTACT PRIORITY/ | 32 |
| PPP00000044021105 | CLIP ASSEMBLY | 49 |
| PPP00000048668101 | TARGA, LEFT,PAINTED | 50 |
| PPP00000048668102 | TARGA, RIGHT,PAINTED | 51 |
| PPP00000048685101 | DUST GUARD | 52 |
| PPP00000010401106 | PIN,CLEVIS, 3/8 X 1.75, ZINC | 53 |
| PPP00000010400103 | PIN, HITCH, .093 DIA, ZINC, #203 | 54 |
| PPP00000045669107 | PIN, LIFT PIVOT, 3.34, MUSHROOM HEA | 55 |
| PPP00000048659101 | WELDMENT, LIFT PLATFORM | 56 |
| PPP00000044270101 | WHEEL, LIFT | 57 |
| PPP0000PKCN019075 | SCREW,S/T,#10X.75,WSHHXHD,ZN | 58 |
| PPP00000045669109 | PIN, LIFT PIVOT, 3.27, MUSHROOM HEA | 59 |
| PPP00000010400106 | PIN, HITCH, .125 DIA, ZINC, #216 | 60 |
| PPP00000WBCN031007 | WASHER,FLT,5/16X.688X.065, ZN | 61 |
| PPP00000CAMN031100 | SCREW,SKHD,5/16-18X1,ZN (MECH PLATI | 62 |
| PPP00000048684101 | ASSEMBLY, REAR FOOT | 63 |
| PPP00000010043136 | BEARING,FLANGE .875ODX.750IDX.50L | 64 |
| PPP000000036192101 | BUSHING, SPANNER | 65 |
| PPP00000HCTN050250 | SCREW,HEX,GR 5,1/2-13X2-1/2,BLK SHA | 66 |
| PPP00000WBCN050010 | WASHER, FLT, 1/2, ID=.531, | 67 |
| PPP00000KACN050019 | LOCKNUT,HALF,1/2-13,ZN | 68 |
| PPP00000010043113 | BEARING,FLANGE,OD=.62 ID=.5 | 69 |
| PPP00000010178107 | BUSHING, SNAP | 70 |
| PPP00000010214102 | BELT, DRIVE, 320J10 POLY V, TEM | 71 |
| PPP00000011278101 | CABLE CLAMP,INSERT | 72 |
| PPP00000033984101 | LABEL, SAFETY, GROUND SYMBOL | 73 |
| PPP00000044074106 | STRAP, GFX TIE DOWN | 74 |
| PPP00000044234101 | DECK PIVOT | 75 |
| PPP00000044236101 | GFX CUSHION | 76 |
| PPP00000044263101 | PLATE, SPACER, DECK | 77 |
| PPP00000048968104 | ASSEMBLY, TRIM STRIP, C966I/9.57 | 78 |
| PPP000000300833101 | BRACKET, REAR ROLLER GUARD, LEFT, P | 79 |
| PPP000000300833102 | BRACKET, REAR ROLLER GUARD, RIGHT, | 80 |
| PPP00000048694101 | END CAP | 81 |
| PPP00000048695103 | BELT GUARD, END CAP | 82 |
| PPP00000059090102 | GEN-06 HOOD KIT, 966, 120V | 83 |
| PPP00000048765101 | SIDE TRIM, LEFT, C966I,PAINTED | 84 |
| PPP00000048765102 | SIDE TRIM, RIGHT, C966I,PAINTED | 85 |
| PPP00000CAMN025063 | SCREW,SKHD,1/4-20X5/8,ZN (MECH PLAT | 86 |

C966i (120 VAC)(serial code AA67, AABX)

| Part Number | Description | Bubble Number |
|--------------------|-------------------------------------|----------------------|
| PPP00000CKMN038250 | SCREW,SKHD,3/8-24X2.50L,.78 SHOULDE | 87 |
| PPP00000HCCN031075 | SCREW, HEX HD, GRADE 5, 5/16-18 X . | 88 |
| PPP00000HCCN038150 | SCREW,HEX,GR 5,3/8-16X1 1/2,ZN | 89 |
| PPP00000MGCN019050 | SCREW, MACHINE, 10-24X1/2, PANHD, P | 90 |
| PPP00000CATN025150 | SCREW, SKHD,1/4-20X1.50,BLK SHARPER | 91 |
| PPP00000PKCN019075 | SCREW,S/T,#10X.75,WSHHXHD,ZN | 92 |
| PPP000000300438102 | PLATE, CONNECTOR, COAX/CAT5, | 93 |
| PPP0000WAMCN019002 | WASHER, LOCK, EXT TOOTH, #10 | 94 |
| PPP0000WAVCN038015 | WASHER, FLAT, 3/8 X .875 X .150 | 95 |
| PPP00000WBCN031007 | WASHER,FLT,5/16X.688X.065, ZN | 96 |
| PPP00000WNCN026006 | WASHER,FLT,1/4X.625X.063,ZN | 97 |
| PPP000000012000030 | GASKET,EMI,FABRIC OVER FOAM W/PSA,1 | 98 |
| PPP000000300075016 | ASSY, CABLE, 2C, 16 AWG, BROWN, QK | 99 |
| PPP000000012248101 | RES,WW,100 OHM,50W,10%,METAL CASE,. | 100 |
| PPP000000048940101 | ASSY,CABLE, FILTER TO DRIVE MODULE | 101 |
| PPP000000037436101 | LABEL, CHASIS NEUTRAL | 102 |
| PPP000000044528006 | ASSY,CBL,1 COND,14AWG,QK DISC,6",BR | 103 |
| PPP000000040731009 | CBL,1C,14AWG,#10 RING/250X032 QD RE | 104 |
| PPP000000045381101 | IEC 16/20A POWER CORD INLET | 105 |
| PPP000000045383009 | CBL,1C,14AWG,250X032 QD RECP/250X03 | 106 |
| PPP000000048760101 | PLATE, POWER ENTRY | 107 |
| PPP000000048761101 | CLAMP, POWER CORD | 108 |
| PPP00000MGCN013038 | SCREW,MCH,6-32X3/8,PANHD,PHIL, | 109 |
| PPP00000KGCN013011 | LOCKNUT, STARWASHER 6-32, #6 | 110 |
| PPP00000MGCN019050 | SCREW, MACHINE, 10-24X1/2, PANHD, P | 111 |
| PPP000000044905012 | ASSY,CBL,MOD,8P8C,1-1,SILVER,12" | 112 |
| PPP000000012259102 | SWITCH,MICRO,PLUNGER,SPNC | 113 |
| PPP000000012628101 | INSERT, SQUARE, NYLON | 114 |
| PPP000000048666101 | DASH, COMMERCIAL, BOTTOM | 115 |
| PPP000000048667104 | DASH, COMMERCIAL, TOP | 116 |
| PPP000000048703102 | ASSY, PVS UPPER MOUNT | 117 |
| PPP000000048710103 | STOP BUTTON, GEN 06 | 118 |
| PPP000000048711102 | SWITCH MOUNT, GEN 06 | 119 |
| PPP000000048715101 | TRANSITION, DASH - TARGA, LEFT | 121 |
| PPP000000048715102 | TRANSITION, DASH - TARGA, RIGHT | 122 |
| PPP000000049330024 | ASSY, CABLE, CHOKE-GND HHR TO DISP | 124 |
| PPP000000048921017 | ASSY, CABLE, UPPER SAFETY SWITCH, 1 | 125 |
| PPP00000CCNN025050 | SCREW,SKHD,1/4-20 X0.50,SS,LK | 126 |
| PPP00000CAMN025075 | SCREW, SKHD, 1/4 X 0.75, ZN,(MECH P | 127 |
| PPP00000MGCN016063 | SCREW,MCH,8-32X5/8,PANHD,PHIL, | 128 |
| PPP00000PMTN016088 | SCREW,TCS,#8X7/8,PHIL,BLK SHARPERIZ | 129 |
| PPP000000038048120 | GRIP, PLASTISOL, 2.0 | 131 |
| PPP000000038048121 | GRIP, PLASTISOL, 6.0 | 132 |
| PPP000000047342025 | ASSY, CABLE, HHR PCA TO GRIP, W/SH | 133 |
| PPP000000048699501 | ASSY, CROSSBAR, COMMERCIAL TREAD, H | 134 |
| PPP00000TCNN016075 | SCREW, BTHD, 8-32X.75,SS | 135 |
| PPP000000059212101 | ASSY W/BOARD D-PAD, 5 POSITION, TRE | 141 |
| PPP000000048712102 | BOOK SUPPORT, DISPLAY-C, MAKROBLEND | 142 |
| PPP000000048918012 | ASSY, CABLE, MOD, 8P8C, 1-1, BLACK, | 143 |
| PPP00000CAMN031100 | SCREW,SKHD,5/16-18X1,ZN (MECH PLATI | 144 |
| PPP000000048747102 | ASSEMBLY, HOOD | 160 |
| PPP0000WAMCN025002 | WASHER, LOCK, EXT TOOTH, 1/4 | 161 |
| PPP0000WALCN025006 | WASHER, SPLIT LOCK, 1/4 MED, | 162 |

C966i (120 VAC)(serial code AA67, AABX)

| Part Number | Description | Bubble Number |
|---------------------|-------------------------------------|----------------------|
| PPP00000042714102 | HHHR SENSOR,BOTTOM | 169 |
| PPP00000042713102 | HHHR SENSOR, TOP | 170 |
| PPP00000048963106 | HARDWARE KIT, 9X6I | 200 |
| PPP00000059127104 | GEN06 TRIM REPLACEMENT KIT, C966, 9 | 241 |
| PPP00000012909101 | 5/16" SCREW EXTRACTOR | 243 |
| PPP00000012414101 | CABLE CLAMP INSERT,SNAP IN | 903 |
| PPP00000CATN031075 | SCREW,SKHD,5/16-18X0.75,BLK SHARPER | 904 |
| PPP00000TCNN031075 | SCREW,BTHD,5/16-18X.75,SS | 905 |
| PPP00000WEGN031007 | WASHER, FLT, 5/16X.688X.065,SS, BLK | 906 |
| PPP00000WENN031007 | WASHER, FLT, 5/16X.688X.065,SS | 907 |
| PPP00000TATN031075 | SCREW,BTHD,5/16-18X3/4,BLK SHARPERI | 908 |
| PPP00000KGCN031027 | LOCKNUT,STARWASHER,5/16-18,1/2 | 909 |
| PPP00000WALCN031008 | WASHER, 5/16 SPLIT LOCK, ZINC | 917 |
| PPP00000049070109 | LITERATURE KIT, C956I/C966I GEN-06, | 999 |